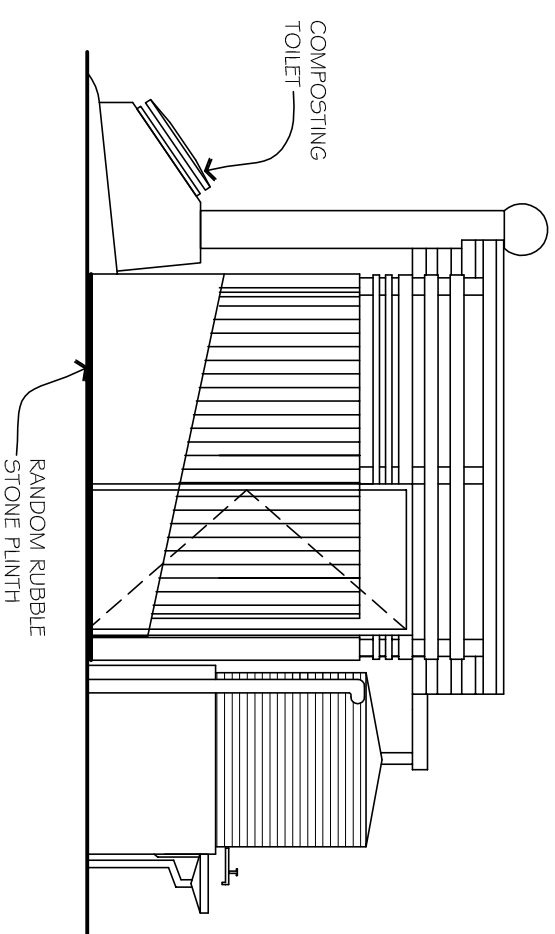
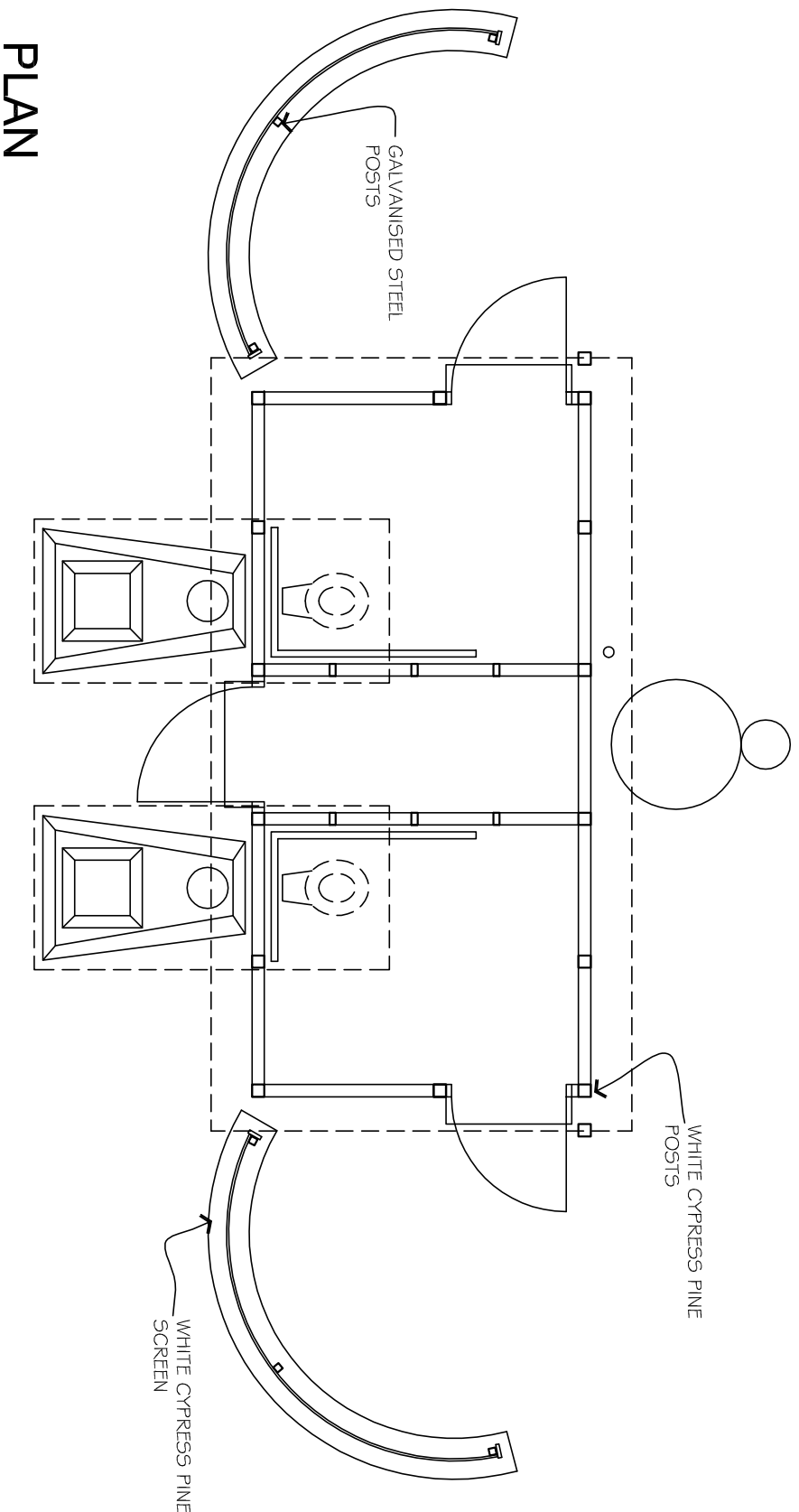


ELEVATION 1



ELEVATION 2



PLAN



Double Enviro Toilet & Store

FACILITIES

KANGAROO ISLAND COUNCIL
FACILITY DESIGN PLAN

SHANNON ARCHITECTS

DRAWN JPS DATE 26-08-08

DRAWING No 08001 A

2 of 9

© RJ Shannon Pty Ltd ACN 007 998 067
43 Glen Osmond Road Eastwood SA 5063
Telephone 08 8373 1611 Facsimile 08 8373 1644