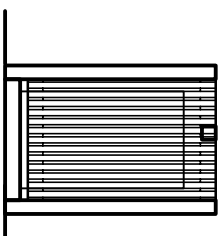
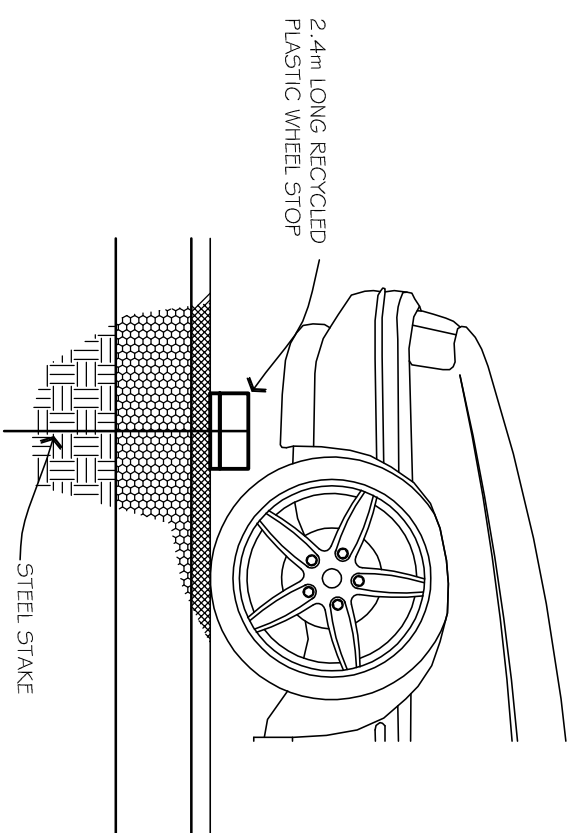


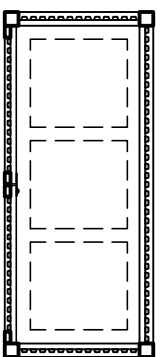
**ELEVATION 1**  
MOBILE BIN



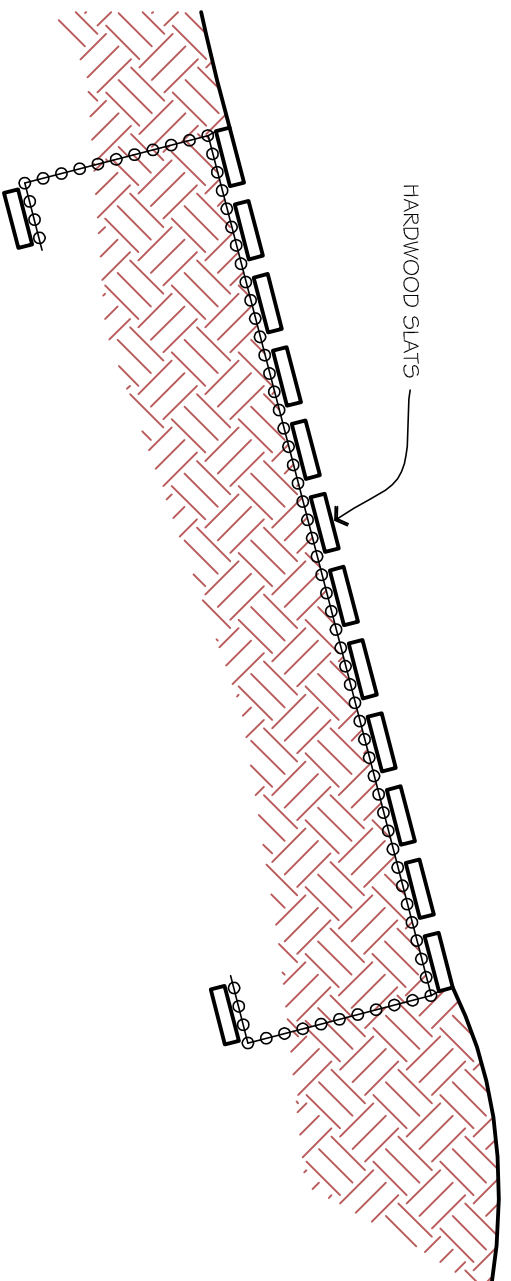
**ELEVATION 2**  
MOBILE BIN



**WHEEL STOPPER SECTION**



**PLAN**  
MOBILE BIN



**DUCK BOARDING SECTION**



# Additional Facilities

## FACILITIES

KANGAROO ISLAND COUNCIL  
FACILITY DESIGN PLAN

**SHANNON ARCHITECTS**

DRAWN JPS DATE 26-08-08

DRAWING No 08001 A

9 of 9

© RJ Shannon Pty Ltd ACN 007 998 067  
43 Glen Osmond Road Eastwood SA 5063  
Telephone 08 8373 1611 Facsimile 08 8373 1644